

Black Jack

by Big Ass Fans®

Designed by Big Ass Customers. Built by Big Ass Fans.

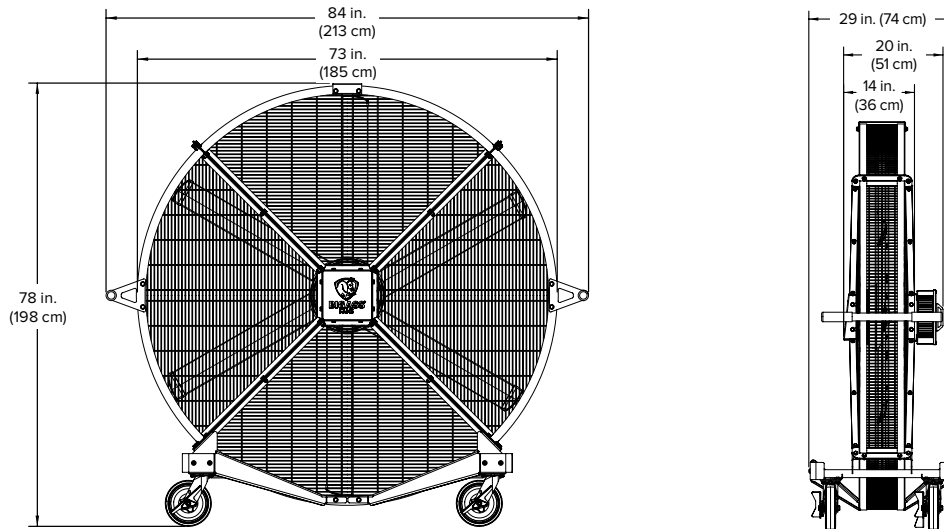


We asked our customers what they wanted in a mobile fan—and then we designed Black Jack. Customers wanted a fan they could bring anywhere, so Black Jack features indoor/outdoor rubber wheels and a 6.5-ft (2-m) frame that can fit through standard interior doors. They wanted a fan that was compatible with standard outlets, so we designed Black Jack to fit any 110V power supply. They wanted quiet, effective air movement, so we gave Black Jack a direct-drive motor that creates airflow across a third of a football field but won't interrupt conversation just a few feet away. Customers wanted a fan that was easy to use and easy to clean, so we delivered Black Jack fully assembled, and made it wet-rated so it's simple to hose down if it gets dirty.

Features and Benefits:

- 6.5-ft (2-m) frame fits through most standard interior doors
- 25-ft cord (10-ft available) plugs into any 110 V power supply
- Whisper-quiet direct-drive motor draws only 7.5 amps at top speed
- Creates airflow across one third of a football field (120 feet!)
- Arrives pre-assembled on special roll-off shipping pallet
- Standard indoor/outdoor wheels with rubber tread
- Variable speed control for fully adjustable airflow
- Steel frame and cage for protection in the toughest environments
- Wet-rated for indoor/outdoor use and easy wash-down



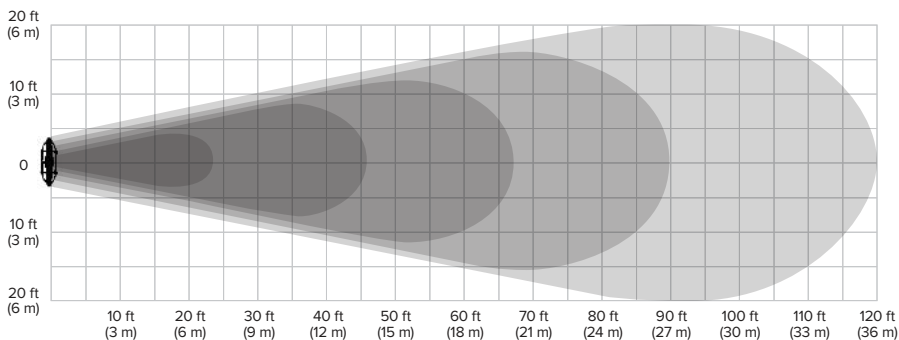


Technical Specifications

Dimensions (W x H x D)	84 in. x 78 in. x 29 in. (213 cm x 198 cm x 74 cm)
Cage	OSHA compliant
Controller	Black Jack variable speed control
Input power	100–125 VAC, 1 Φ , 50/60 Hz
Motor	ECM
Maximum power	471 Watts
Maximum speed	291 RPM
Maximum amp draw	7.5 A
Sound level (maximum speed)*	63.5 dBA
Weight	310 lb (141 kg)
Warranty	3 years in the US and Canada**

*Fans are sound tested at maximum speed in a laboratory environment. Actual results in field may vary due to sound reflecting surfaces and environmental conditions.

**3 years parts, lifetime airfoils and hub. Warranties vary by country. See complete warranty for details.



Black Jack Air Velocity

- Shaded area represents effective cooling area
- Darker shaded areas represent higher air velocities
- Air velocities range from 320 fpm to 114 fpm (to 120 ft)
- fpm = feet per minute