



Yellow Jacket®

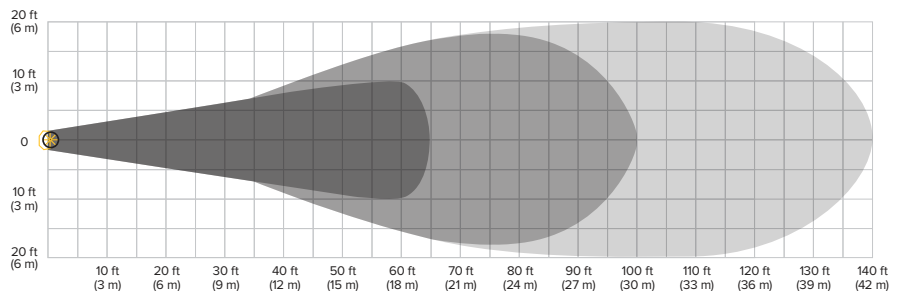
Yellow Jacket® is the Smashingly Durable™ portable and mountable fan that takes abuse and stays in use. The mobile, pedestal version is available in 18- and 36-inch (0.46- and 0.91-m) height options to direct airflow exactly where it's needed. Mount it to a column or wall for airflow in areas with less floor space. If it gets dirty, don't worry: the fan and the easy-to-remove cage are designed to be water resistant, so you can spray it down to get it squeaky clean in no time. Available in either yellow or black, but also offered as an optional appearance package with a cool white finish.

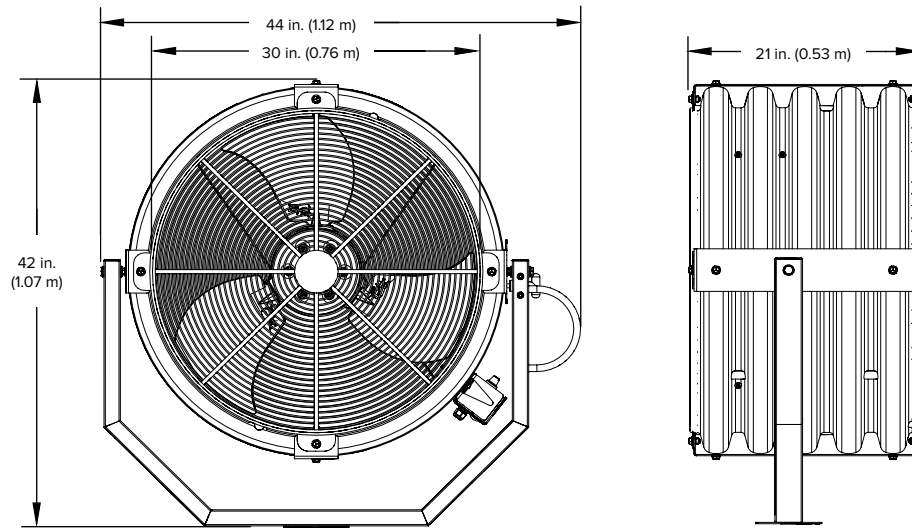
Features and benefits

- Efficient 1/2 hp motor uses only 400 W at full speed
- Super-solid construction helps reduce noise output.
- Powerfoil-inspired blades provide an optimal spread pattern for maximum airflow
- Oversized wheels and an ergonomic handle allow for superior maneuverability
- Infinitely adjustable speeds (our dial goes to 11!)
- Heavy-gauge steel carriage withstands the toughest environments
- Optional misting and oscillating systems available
- Optional wall, column and ceiling mounts available so you can put it anywhere
- 3-year warranty in the US and Canada

Yellow Jacket Air Velocity

- Shaded area represents effective cooling area
- Darker shaded areas represent higher air velocities
- Air velocities range from 528 fpm to 113 (to 140') fpm
- fpm = feet per minute





Technical Specifications

Model	Yellow Jacket	
Blade design	3-dimensional progressive pitch blades	
Blade material	High performance polyamide nylon	
Housing material	High density polyethylene with vibration dampening properties	
Blade diameter	30 in. (0.8 m)	
Weight (fan & yoke)	105 lb (47.6 kg)	
Motor type	IP45 equivalent ECM motor	
Motor rating	0.5 hp (0.37 kW)	
Motor speed (RPM range)	300–1300 RPM	
Input power	100–125 VAC, 50/60 Hz, 1 Φ	200–250 VAC, 50/60 Hz ¹ , 1 Φ
Current (min/max speed)	0.38/6.8 A	0.31/5.3 A
Average power usage (min/max speed)	13/400 W	13/410 W
Power cord	10 ft (3.1 m); 110–125 V only	
Controller speeds	Variable speeds from 1 to 10	
Sound²	70 dBA at 10 feet (maximum speed)	
Fan guards	1/8 in. steel spiral guards, OSHA compliant	
Locking position mechanism	180° of vertical adjustments without tools	
Warranty³	3 years electrical components, limited lifetime workmanship in the US and Canada	

¹ 200–250 VAC available by special request; contact manufacturer for details.

² Fans are sound tested at maximum speed in a laboratory environment; actual results in field conditions may vary due to sound reflecting surfaces and environmental conditions.

³ 3 years electrical components and limited lifetime workmanship warranties available in the US and Canada; certain exclusions apply. Warranties vary by country. See full warranty for details.

Mounting Options

Portable base with 8-inch (0.2-m) shatter-resistant wheels, optional 18- and 36-inch (0.5- and 0.9-m) extensions for multiple heights

Wall column mount, beam mount, chain mount or yoke mount; others available on request

Remotely mounted speed controller with on/off function and 10 speeds

Accessories

Oscillating kit	Wall column mount, yoke mount or pedestal
Misting kit	Portable base with 18- or 36-inch pedestals only

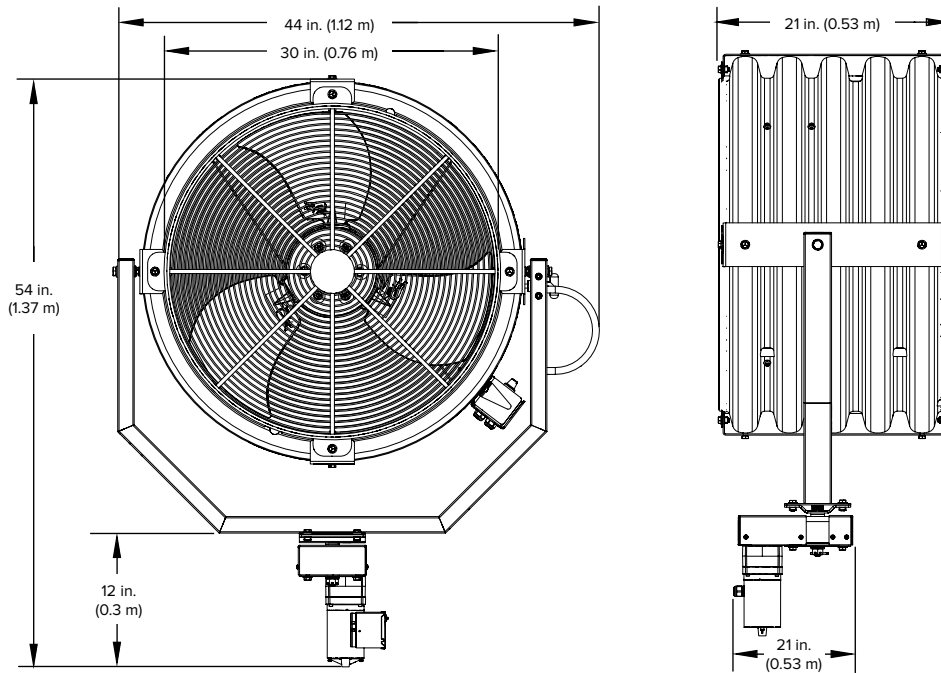


BIG ASS
FANS

Accessory:

Yellow Jacket Oscillating Kit

TECHNICAL SPECIFICATIONS



Technical Specifications

Model	Yellow Jacket Oscillator
Switch	On/Off control
Motor	0.05 hp (0.037 kw)
Oscillations per minute	2.5 OPM @ 110–120 VAC 2.1 OPM @ 220–240 VAC
Current	0.33 A @ 110–120 VAC 0.21 A @ 220–240 VAC
Angle adjustment	45, 60 and 90 degrees; user-adjustable

Kit Components

Fully enclosed oscillator assembly for user safety and product durability

Includes single power cord for fan and oscillator

Mounting Options

Wall column mount

Yoke mount

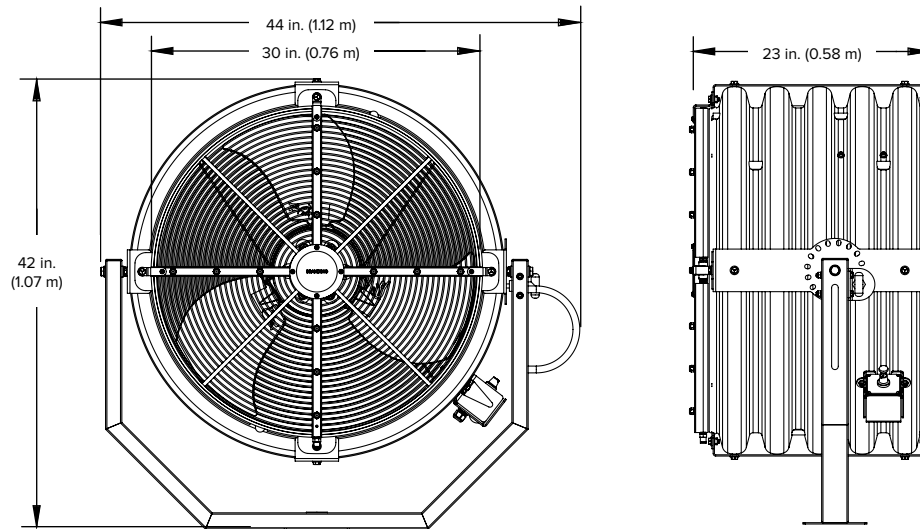


BIG ASS
FANS

Accessory:

Yellow Jacket Misting Kit

TECHNICAL SPECIFICATIONS



Misting Pump

Maximum pressure	1000 PSI; high pressure
Maximum flow	0.25 GPM
Voltage	110–120 VAC, 60 Hz, 5 A
Horsepower	0.5 hp (0.37 kW)
Filter	Water supply in-line, 5-micron filter
Equipment safety	Low-pressure water sensor protects pump if water source is turned off

Accessories

Material	Aluminum
Nozzle size	0.008 in. (0.2 mm) nozzles
Misting Rails	14-in. (355.6-mm) rail with 3 nozzles
Water source	Accepts standard garden hose

Kit Components

Includes 8-ft (2.4-m) outdoor-rated power cord with integrated GFCI



BIG ASS
FANS