



# BACKHOE LOADER TLB840R

## SPECIFICATIONS

### ENGINE

Deutz TCD 3.6 L4 (Tier 4 Final)  
- Torque rise 63%  
- Electronic fuel injection

Cylinders	4
Capacity	219.6 in <sup>3</sup>   3.6 L
Rated speed	2200 rpm
Gross power @ 2200 rpm Cert. Rating to UN/ECE R120	74.0 hp   55.4 kW
Derived net rating @ 2200 rpm to ISO 14396	69.3 hp   51.9 kW
Max Torque @ 1300 rpm ISO 14396	288 lbf   390 Nm

\* Nominal Non-certified Values

### ELECTRICAL

External wiring and connectors meet IP69k standard

Maintenance free battery

12 volt negative ground

Battery isolator

95 amp alternator

Blade type fuses

110 A/hr single battery with 920 CCA - EN Standard

### CAPACITIES

Fuel tank	37 gal   140 L
Engine coolant	4.5 gal   17 L
Engine oil (including filter)	2.11 gal   8 L
Synchro Shuttle Transmission	5.3 gal   20 L
Rear axle (including final drives)	4.5 gal   17.1 L
Front axle (including final drives)	2.25 gal   8.5 L
Hydraulic tank	18.5 gal   70 L

### AXLES AND BRAKES

Outboard planetary final drives for easier servicing  
Foot operated differential lock with 100% lockup  
16° front axle oscillation to maintain maximum ground contact and traction  
High capacity mounted wet disc brakes  
Self equalizing and self adjusting  
Selectable 2 or 4 wheel braking

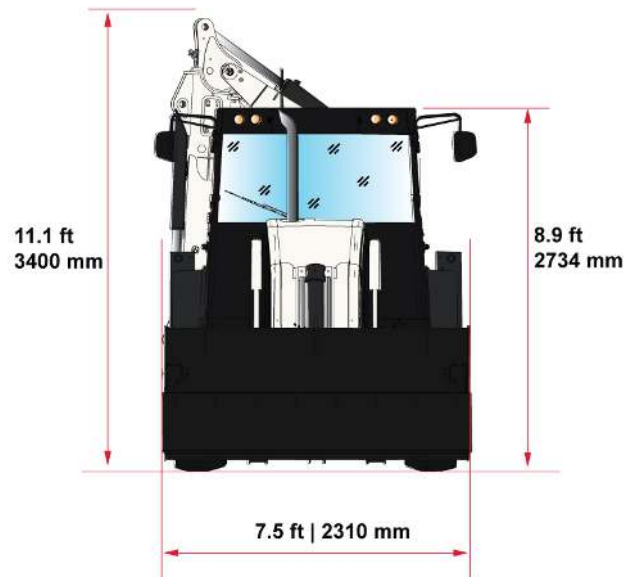
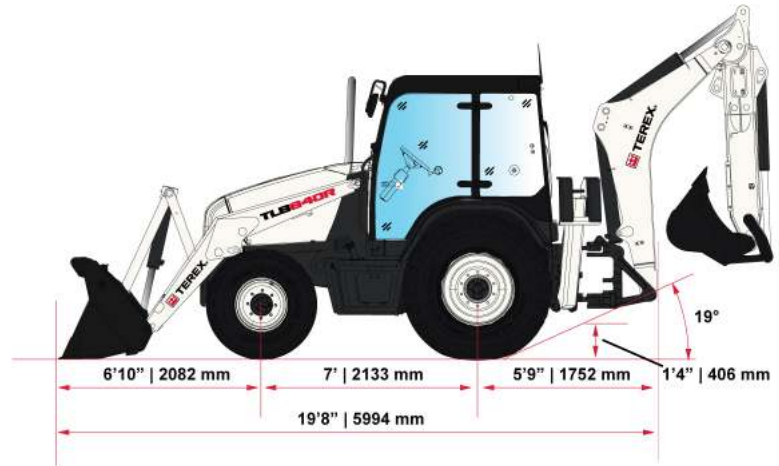
Axle Ratings	Max Static Loading	Max Dynamic Loading
Front	39342 lbs   175 kN	15737 lbs   90 kN
Rear	42169 lbs   187.5 kN	16861 lbs   75 kN

### OPERATING WEIGHTS

Base Machine Weight	16788 lbs   7615 kg
Add/delete	
Deep dig dipper	+ 584 lbs   265 kg
ROPS frame	- 330 lbs   150 kg
Front counterweight	+ 92 lbs   42 kg

Base operating weight includes cab, standard loader bucket, standard dipper stick, 24 in | 600 mm bucket, full fuel tank and 165 lbs | 75 kg operator.

## DIMENSIONS



## TURNING CIRCLES

	Over Tires	Over Bucket
Without brakes	25.75 ft   7.9 m	35.75 ft   10.9 m
With brakes	23 ft   7.0 m	32.6 ft   10 m

Depending on tire size

## HYDRAULIC SYSTEM

- Tandem gear pumps with inloader valve
- Open centre control valves
- Automatic or manually activated pump flows
- Power boost to match digging power and speed to application
- External oil level gauge
- 125 micron suction strainer
- 10 micron return line filter

Main pump flow @ 2200 rpm	21.7 gpm   82 L/min
Secondary pump flow @ 2200 rpm	11.62 gpm   44 L/min
System main relief setting bar	3625 psi   250 bar

# WORKS FOR YOU.™



# TEREX®

# BACKHOE LOADER TLB840R

## BACKHOE PERFORMANCE

	Standard Dipper		Extendable Dipper			
			Retracted		Extended	
	Standard Bucket	HD Bucket	Standard Bucket	HD Bucket	Standard Bucket	HD Bucket
Max slew torque	15488 lbf-ft   21 kNm		15488 lbf-ft   21 kNm		14751 lbf-ft   20 kNm	
Dipper tearout (SAE J49 Standard)	7961 lbf   35.4 kN	7961 lbf   35.4 kN	7961 lbf   35.4 kN	7961 lbf   35.4 kN	5892 lbf   26.2 kN	5892 lbf   26.2 kN
Bucket tearout	10566 lbf   47 kN	10566 lbf   47 kN	10566 lbf   47 kN	10566 lbf   47 kN	10566 lbf   47 kN	10566 lbf   47 kN

## LOADER PERFORMANCE

	Standard Bucket
Bucket Breakout	9441 lbf   42.0 kN
Arms Breakout	10329 lbf   46 kN
Lift Capacity To Full Height	7291 lbf   kN

Loader specifications are stated in accordance with ISO 14397 and EN474 Part 4.

## BASE CONFIGURATION

Canopy Cab	Standard Dipper Stick
4 Wheel Drive	1 yd <sup>3</sup>   .76 m <sup>3</sup> Loader Bucket
16.5 in Front Tires	24 in Rear Tires
Self Leveling Loader	Terex White Paint Scheme
Pilot Controls	Return To Dig

## UPGRADE OPTIONS

Enclosed Cab with A/C & Heat	Extendable Dipper Stick
Terex Blue Paint Scheme	1.3 yd <sup>3</sup>   1 m <sup>3</sup> Loader Bucket
Auxiliary Hydraulic Circuit (Excavator Only)	Excavator Quick Attach (Manual Only)
Ride Control	Anti Vandal Kit (ROPS)
3" Seat Belt	Steering Wheel Spinner
Stab Leg Guard	Boom Protection Guard

## TRANSMISSION

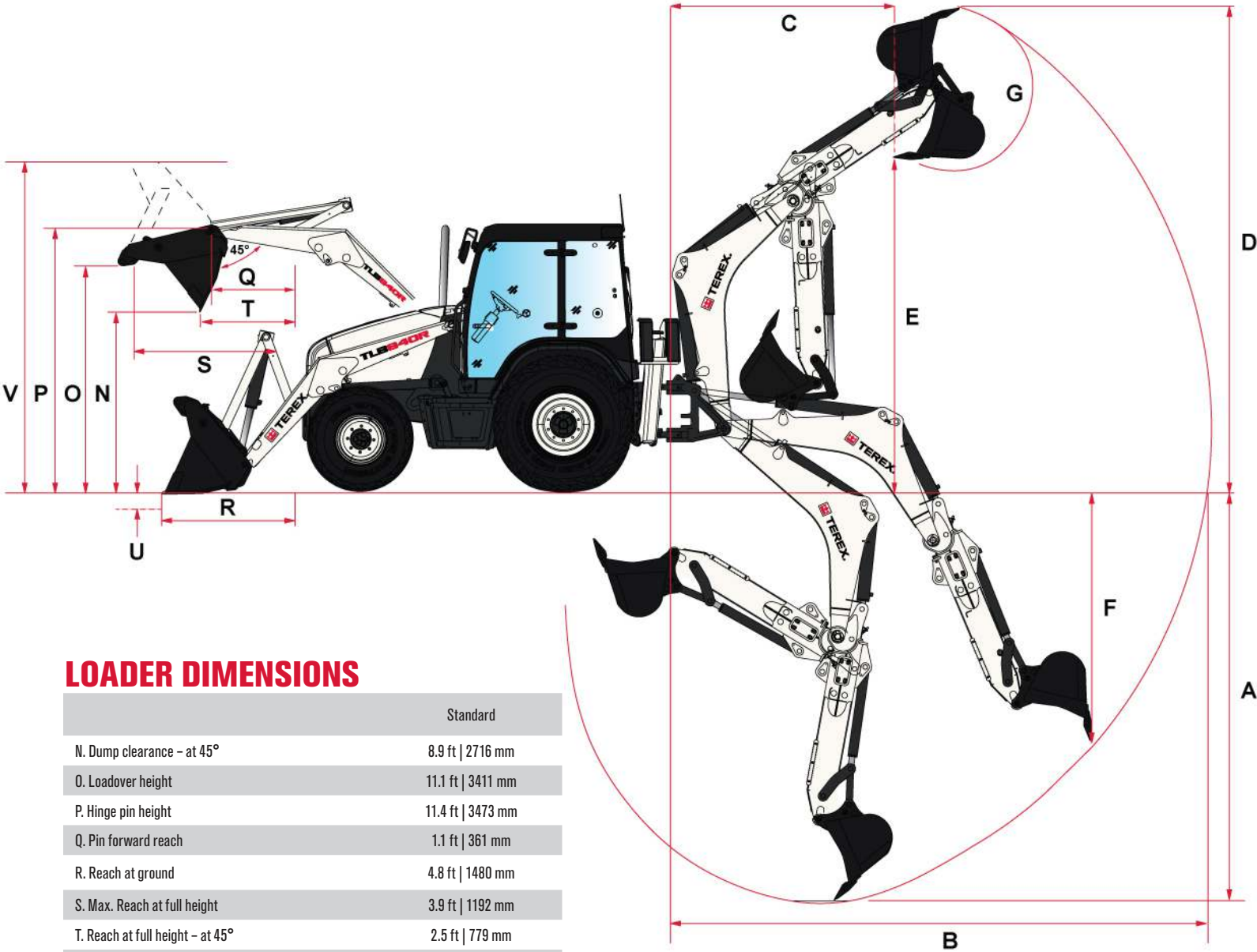
- 4 speed synchro shuttle gearbox
- Modulated forward and reverse clutch packs enable smooth direction changes
- De-clutch button on gear lever
- Direction control with neutral safety interlock
- Single stage torque converter with 3.01:1 stall ratio TBC

Tires	Front:	12 x 16.5	12 PR SKS XTRA
	Rear:	19.5 x 24	12 PR SLA R4

Travel Speeds	
Forward/Reverse	
1st	3 mph   5 km/h
2nd	5 mph   8 km/h
3rd	12 mph   19 km/h
4th	24 mph   38 km/h

## EXCAVATOR ATTACHMENT OPTIONS

Hydraulic Thumb	Manual and Hydraulic Quick Coupler Options
Pin On Medium Capacity Buckets: 12 in   304 mm to 36 in   914 mm	Quick Coupler Medium Capacity Buckets: 12 in   304 mm to 36 in   914 mm
Ditching and Grading Buckets: 30 in   762 mm - 60 in   1524 mm	Railroad Cribbing Bucket: 8 in   203 mm



### LOADER DIMENSIONS

	Standard
N. Dump clearance - at 45°	8.9 ft   2716 mm
O. Loadover height	11.1 ft   3411 mm
P. Hinge pin height	11.4 ft   3473 mm
Q. Pin forward reach	1.1 ft   361 mm
R. Reach at ground	4.8 ft   1480 mm
S. Max. Reach at full height	3.9 ft   1192 mm
T. Reach at full height - at 45°	2.5 ft   779 mm
U. Dig depth	7 in   179 mm
V. Overall operating height	13.75 ft   4185 mm
Max. Dump angle fully raised	45°

### BACKHOE DIMENSIONS

		Standard Dipper	Extendable Dipper	
			Retracted	Extended
A. Dig Depth	Maximum SAE	14.75 ft   4490 mm	14.75 ft   4490 mm	18.1 ft   5510 mm
	2 ft Flat bottom SAE	14.6 ft   4444 mm	14.6 ft   4444 mm	17.9 ft   5462 mm
B. Reach - Ground level to slew		18.75 ft   5718 mm	18.75 ft   5718 mm	21.9 ft   6679 mm
C. Loading reach		7.5 ft   2280 mm	7.5 ft   2280 mm	10.25 ft   3120 mm
D. Operating height		16.6 ft   5093 mm	16.6 ft   5093 mm	18.6 ft   5674 mm
E. Loading height SAE		11.5 ft   3518 mm	11.6 ft   3538 mm	13.5 ft   4119 mm
	Max Dumping height	10.9 ft   3340 mm	10.9 ft   3340 mm	12.9 ft   3927 mm
F. Maximum straight wall dig depth		9.1 ft   2802 mm	9.1 ft   2802 mm	11.9 ft   3645 mm
G. Bucket rotation	Speed	194°	196°	196°
	Power	164°	166°	166°
Stabiliser spread		9.75 ft   2980 mm	6.9 ft   2115 mm	6.9 ft   2115 mm
Max. Levelling angle		12°	12°	12°

**WORKS FOR YOU.™**