

EZ26

Tracked Zero Tail Excavators



**WACKER
NEUSON**
all it takes!



Compact design offers excellent maneuverability

The EZ26 compact excavator combines the advantages of a minimal tail swing excavator with a well-designed cabin. An innovative front window mechanism for easy ventilation, joystick support, wide cabin entry as well as the arrangement of operating and display elements of the EZ26 are ergonomically and perfectly adapted to the needs of your workplace.

- The 2.6-ton unit is ideal for working in tight spaces and is a great choice for landscape and backyard projects
- Side windows slide from front and rear for excellent ventilation and job site communication
- Pattern control selector valve located in operator's station
- Unrestricted maintenance and service access: tiltable and removable cab, large side-mounted engine and removable chassis covers
- Depending on configuration available with Canopy or cab, vertical digging system (VDS) and counterweights

EZ26 Technical specifications

Operating data

Shipping weight	5,443 - 6,969 lb
Operating weight	5,668 - 7,191 lb
Biting force max.	3,439.6 lbf
Breakout force max.	5,058.2 lbf
Digging depth max.	108.1 in
Dumping height	111.9 - 121.6 in
Digging radius max.	189.4 in
Superstructure slewing speed	10.2 rev/min
L x W x H	168 x 62 x 95 in
Tank capacity	38 US qt

Engine / Motor

Engine / Motor manufacturer	Yanmar
Engine / Motor type	3TNV76
Engine / Motor	water-cooled 3-cylinder diesel engine
Displacement	68.1 in ³
RPM / speed	2,500 rpm
Engine performance output to ISO	20.4 hp

Battery

Battery	44 Ah
---------	-------

Hydraulic system

Duty pump	double variable- & two-gear pump
Flow rate	8.14 US gpm
Max. flow rate	8.06 + 8.06 US gpm
Max. flow rate	5.34 + 1.9 US gpm
Operating pressure for working and traction hydraulics	3,263.4 psi
Operating pressure slewing gear	2,987.8 psi

Undercarriage

Travel speed max.	2.36 mph
Chain width	11.8 in
Ground clearance	10.9 in

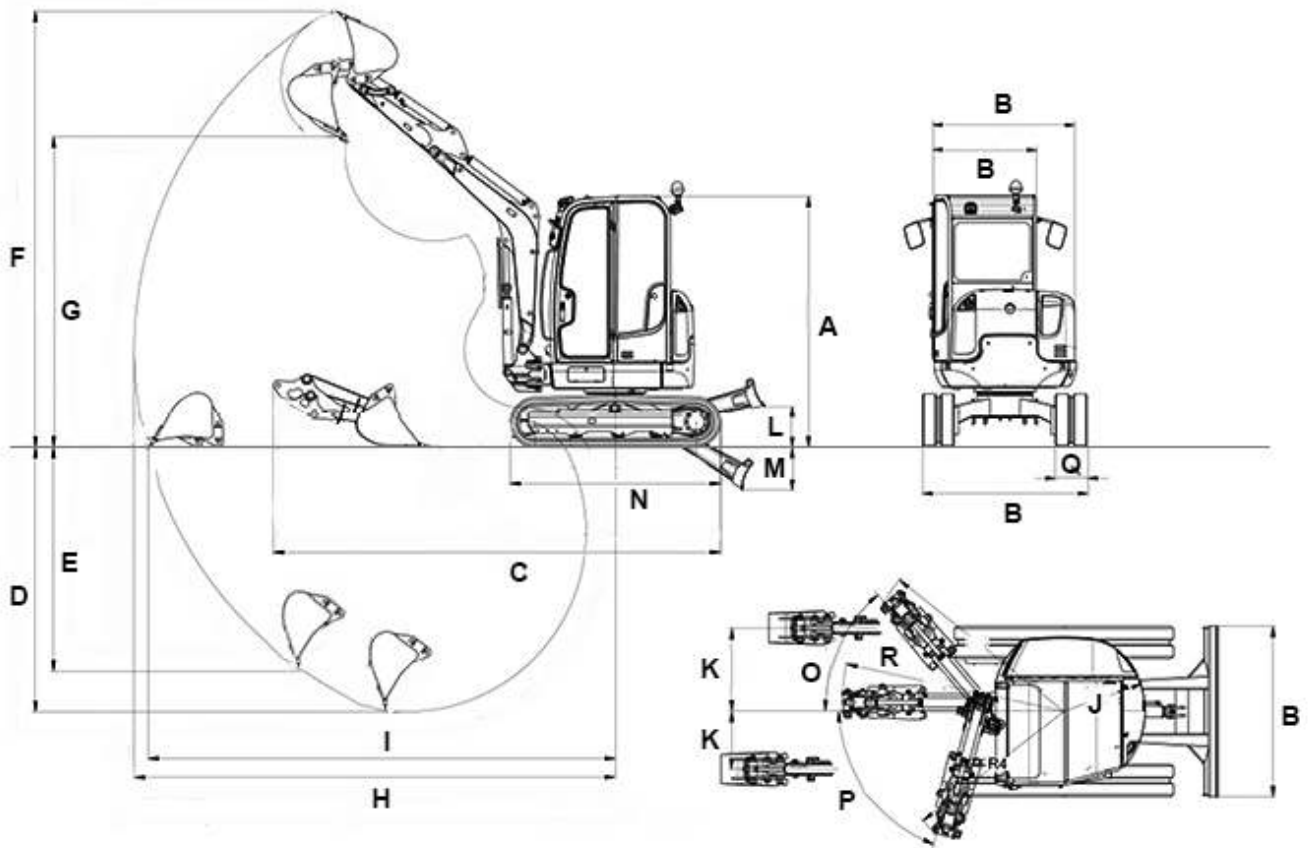
Dozer Blade

Width	61.9 in
Height	11.4 in
Stroke max. above ground	15 in
Stroke max. below ground	16.5 in

Sound level

Sound level (LwA) acc. to 2000/14/EC	93 dB(A)
Cabin - specified sound pressure level LpA acc. to ISO 6394	79 dB(A)

EZ26 Dimensions



			with VDS
A	Height	95.11 in	99.45 in
B	Width of the cabin	38.22 in	38.22 in
B	Width of the revolving superstructure	52.8 in	52.8 in
B	Width of the undercarriage	61.86 in	61.86 in
C	Transport length (short DS)	168.08 in	165.44 in
C	Transport length (long DS)	168.32 in	167.1 in
D	Digging depth max. (short DS)	100.23 in	95.27 in
D	Digging depth max. (long DS)	108.11 in	103.11 in
E	Insertion depth max. vertical (short DS)	77.3 in	72.69 in
E	Insertion depth max. vertical (long DS)	84.79 in	80.18 in
F	Insertion height max. (short DS)	164.26 in	169.42 in
F	Insertion height max. (long DS)	169.38 in	174.54 in
G	Dump height max. (short DS)	111.9 in	116.62 in
G	Dump height max. (long DS)	117.02 in	121.63 in
H	Digging radius max. (short DS)	181.75 in	181.79 in
H	Digging radius max. (long DS)	189.32 in	189.36 in
I	Range max. ground coverage (short DS)	176.55 in	175.05 in
I	Range max. ground coverage (long DS)	184.43 in	182.97 in

J	Rear swivel radius	29.9 in	29.9 in
K	Arm displacement max. boom offset to center of bucket, right side	30.1 in	30.14 in
K	Arm displacement max. boom offset to center of bucket, left side	21 in	21.04 in
L	Lift height max. of dozer blade above subgrade	14.97 in	15.29 in
M	Scraping depth max. of the dozer blade below subgrade	16.51 in	16.19 in
N	Length	79.04 in	79.04 in
O	Turning angle max. of the arm system to the right	50 °	50 °
P	Turning angle max. of the arm system to the left	75 °	75 °
Q	Chain width	11.82 in	11.82 in
--	Distance of bucket dozer blade (short DS)	13.95 in	12.84 in
--	Distance of bucket dozer blade (long DS)	10.2 in	8.59 in
R	Boom slewing radius center	81.95 in	80.93 in
--	Boom slewing radius right	77.22 in	76.55 in
--	Boom slewing radius left	64.66 in	64.62 in
--	Length total traveling gear	79.04 in	79.63 in
--	Width dozer blade	61.86 in	61.86 in
--	Height dozer blade	11.82 in	11.82 in

DS = dipper stick

Please note: that product availability can vary from country to country. It is possible that information / products may not be available in your country. More detailed information on engine power can be found in the operator's manual; the stated power may vary due to specific operating conditions. Subject to alterations and errors excepted. Applicable also to illustrations.
Copyright © 2020 Wacker Neuson SE.