

# 8085T

## Telescopic Wheel Loaders



**WACKER  
NEUSON**  
*all it takes!*



### **maximizes reach with telescopic boom**

The 8085T telescopic all wheel steer wheel loader provides versatility when and where you need it most. This wheel loader offers a telescopic boom providing additional reach for stacking and dumping and excellent maneuverability with three steering modes. This all purpose wheel loader features a long wheelbase for smooth driving and easy handling even across rough terrain.

- Tier 4 Final, 74-hp Deutz engine with maintenance-free DOC aftertreatment provides power and efficient operation
- Telescopic boom offers extended reach of 15 ft. 4 in. (4.67m) to the hinge pin
- Hydraulically operated universal attachment plate allows for efficient changing from one accessory to another without leaving the operators station
- Three steering modes (all wheel, 2-wheel and crab) provide excellent maneuverability in any operating condition
- Operators station offers a spacious and functional layout for operator comfort and panoramic view provides excellent visibility on the job site

## 8085T Technical specifications

### Engine / Motor

Engine / Motor manufacturer	Deutz
Engine performance	73.7 hp

### Electrical system

Operating voltage	12 V
-------------------	------

### Operating data

Operating weight	12,125.3 lb
Speed	12.4 mph
Bucket capacity	1.1 yd <sup>3</sup>
Lifting force	69.7 lb
Payload standard	5,511.5 lb
Tipping load	6,349.3 lb

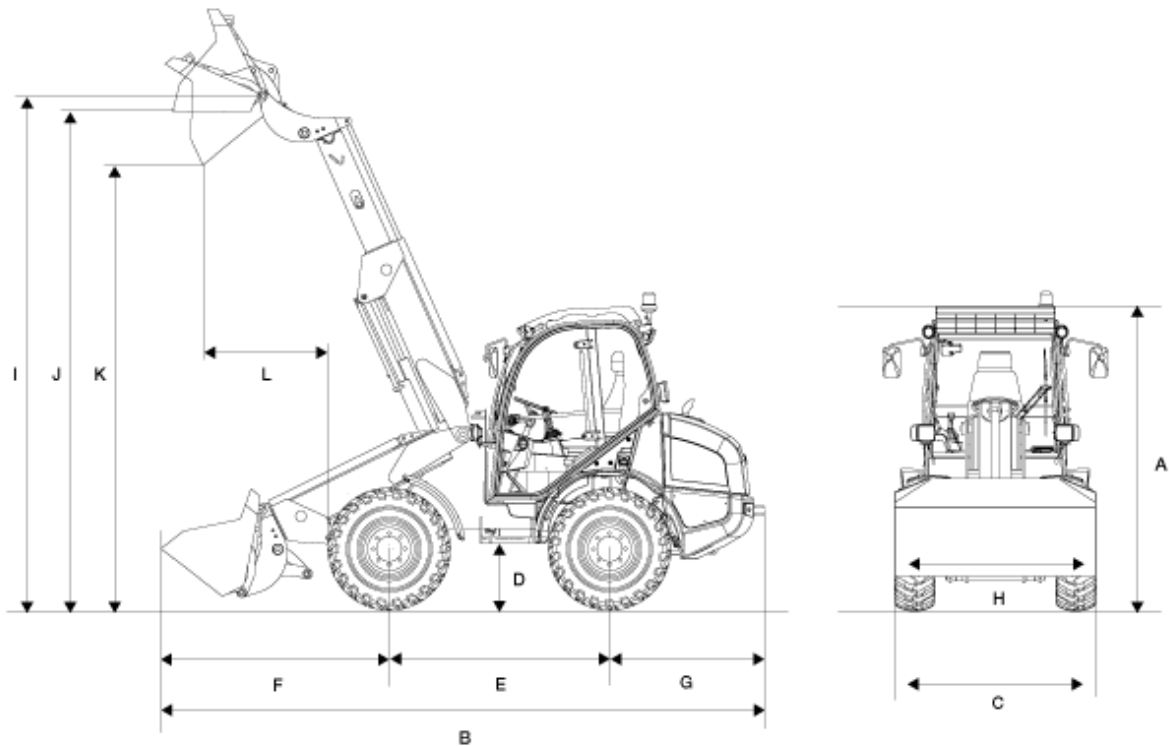
### Steering and operating hydraulics

Driving hydraulics - operating pressure	3,481 psi
Discharge capacity	18.2 US gpm
Steering angle	2 x 40 °

### Filling capacities

Fuel tank capacity	22.1 US gal
Hydraulic oil tank	52.8 US qt

## 8085T Dimensions



A	Height	97.6 in
B	Length	231.1 in
C	Overall width	70.1 in
D	Ground clearance	13 in
E	Wheelbase	79.5 in
F	Center of front axle to tip of teeth	89.4 in
G	Center of rear axle to end of vehicle	58.7 in
H	Bucket width	76.8 in
I	Hinge pin height (extended boom)	184.7 in
J	Overhead loading height (extended boom)	178 in
K	Dump height max. (extended boom)	157.9 in
--	Stack height (extended boom)	176 in
L	Dump reach (extended boom)	42.5 in

Please note: that product availability can vary from country to country. It is possible that information / products may not be available in your country. More detailed information on engine power can be found in the operator's manual; the stated power may vary due to specific operating conditions. Subject to alterations and errors excepted. Applicable also to illustrations.

Copyright © 2020 Wacker Neuson SE.