

# DT15

## Track Dumpers



**WACKER  
NEUSON**  
*all it takes!*



### Maximum power

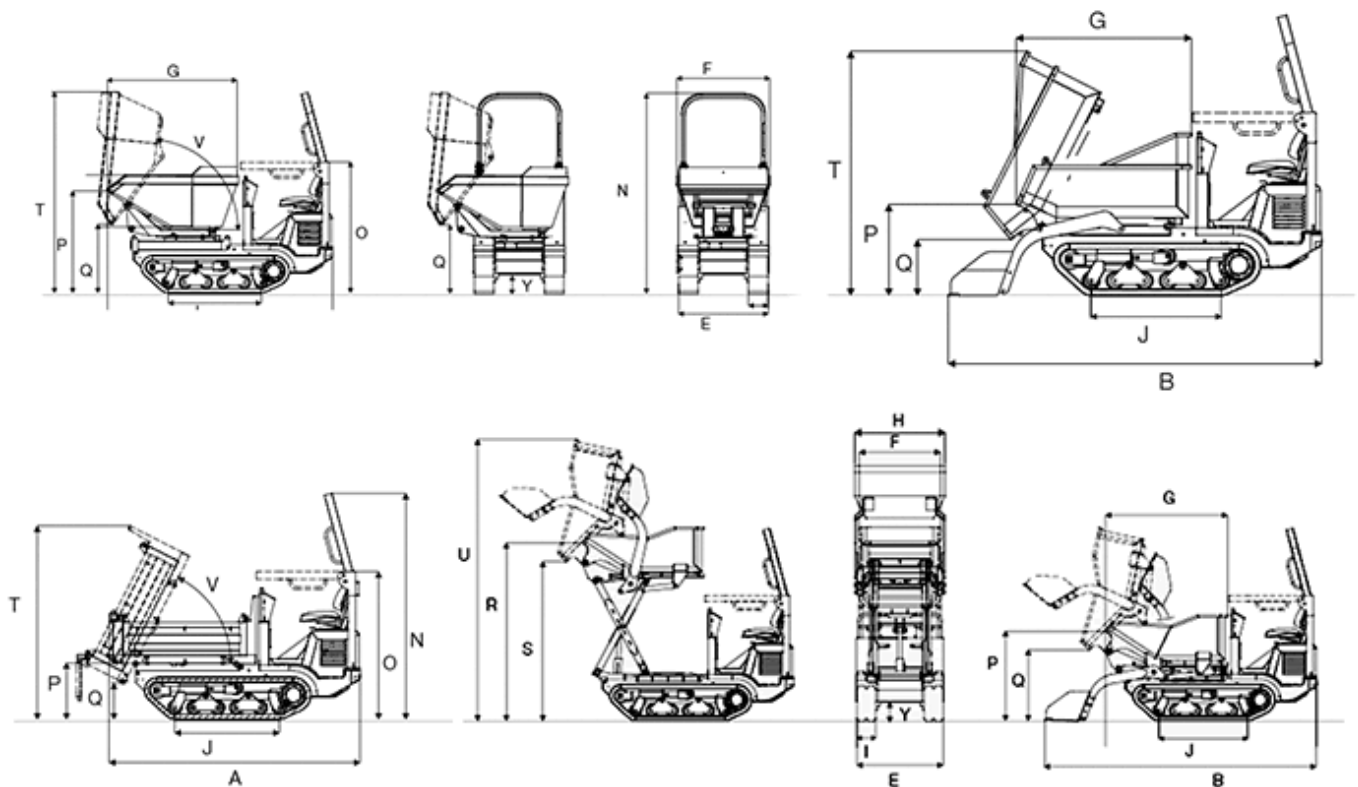
The track dumper DT15 is the ideal transporter on all types of soil, such as gravel or sand, as well as boggy or hilly terrain. The one-piece engine hatch and optimal configuration of the service points make daily maintenance easy.

- The hydrostatic drive enables easy and comfortable operation.
- Folding ROPS roll bar for passageways with low-headroom.
- Low center of gravity for increased stability and guaranteed gradeability up to 62%.
- Auxiliary hydraulics as standard for additional attachments, such as concrete mixers, breakers etc.
- A variety of robust and stable hydraulic tipping skips and other attachments are available, for instance a front-tipping skip, a high-tipping skip, a 3-way side-tipping platform or a hydraulic high-volume concrete mixer.

## DT15 Technical specifications

	Swivel Tip skip	3-way side-tipping platform
<b>Operating data</b>		
Shipping weight Diesel lb	2,932	2,799.84
Payload max. lb	3,307	3,306.9
Skip capacity level US gal	143	135.2
Skip capacity heaped US gal	197.6	179.4
L x W x H in	105 x 43 x 93	104 x 43 x 93
<b>Engine / Motor</b>		
Engine / Motor type	Kubota	Kubota
Engine performance Diesel hp	20	20.1
at rpm rpm	3,000	3,000
Travel speed 1 mph	2.5	2.5
Travel speed Diesel mph	4.6	4.6
Gradeability %	27	27
Fuel tank capacity US gal	6.3	6.3

## DT15 Dimensions



		Swivel tip skip	3-way side-tipping platform
A	Length (without operator board)	105.28 in	103.94 in
E	Width undercarriage	42.52 in	42.52 in
F	Skip width	43.39 in	40.16 in
G	Skip length	60.51 in	60.91 in
I	Chain width track	9.06 in	9.06 in
J	Length track	43.31 in	43.31 in
N	Height over ROPS rollbar	93.39 in	93.39 in
O	Height over ROPS rollbar (collapsed)	79.61 in	79.61 in
P	Height of skip front edge	47.64 in	45.28 in
Q	Dump height max.	31.89 in	14.96 in
T	Height max., skip raised	93.74 in	80.32 in
V	Dump angle skip dumping	84 °	63 °
Y	Ground clearance	8.82 in	8.82 in

Please note: that product availability can vary from country to country. It is possible that information / products may not be available in your country. More detailed information on engine power can be found in the operator's manual; the stated power may vary due to specific operating conditions. Subject to alterations and errors excepted. Applicable also to illustrations.

Copyright © 2020 Wacker Neuson SE.