

# ST35

## Track Loaders



**WACKER  
NEUSON**  
*all it takes!*



### Radial Lift Track Loader

The ST 35 radial lift track loader delivers power and maneuverability. This machine delivers 3,500 pounds of rated operating capacity at 50% and a lift height up to 125 inches. The ST 35 is powered by a 74.3 hp turbo-charged Perkins Tier IV Final engine. Available in both H-Patter and ISO joystick pilot controls, the machines can fit the preferences of any user. The ergonomically designed controls and pressurized cab delivers comfort and visibility, reducing operator fatigue and increasing productivity.

- Standard two-speed transmission increases travel time on job sites giving the operator more time throughout the day to get more tasks completed.
- Spacious extended cab maximizes room and comfort for the operator to move inside the cab.
- Quick and easy service access from the forward tilting cab and the arrangement of internal components makes it easy to maintain the machine.
- Hydraulically driven fan operates on an as-needed basis allowing faster warm-up times of the engine and significantly reducing noise.
- Optional high flow hydraulics increase the range of usable attachments improving efficiency and productivity.

## ST35 Technical specifications

### Operating data

Height top of ROPS	81.9 in
Overall length w/ bucket	144.2 in
Overall length w/o bucket	116.1 in
Height Hinge Pin Max	125.9 in
Operating weight	9,827 lb
Rated Operating Capacity ROC 50%	3,500 lb
Rated Operating Capacity ROC 35%	2,450 lb
Length of track on ground	63 in
Dump height max. at max height	95.2 in
Angle of departure	30 °
Tipping angle (bucket dump) w/ bucket at max height	45 °
Ground clearance	9.4 in
Breakout force max. - Bucket	6,717 lbf
Breakout force max. - Boom	6,167 lbf
Bucket width	78 in
Width w/o bucket	76 in
Width Track	17.7 in

### Engine / Motor

Engine / Motor	Turbo-Charged Perkins 854 Tier 4 Final
Engine performance	74 hp
Fuel tank capacity	24.3 US gal

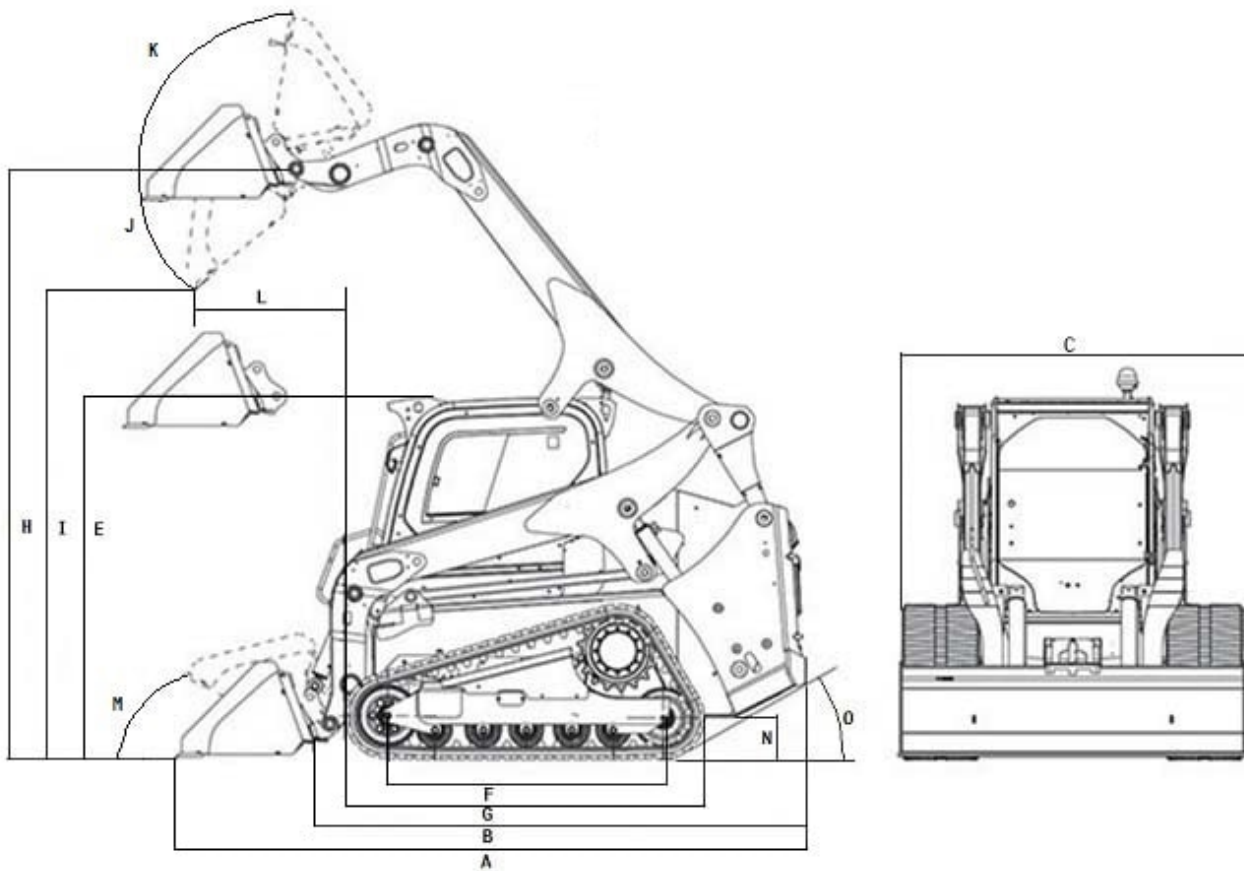
### Hydraulic system

Auxiliary Hydraulics- Standard Flow	22.5 US gpm
Auxiliary Hydraulics- High Flow	35.9 US gpm
Pressure aux. relief	3,338 psi

### Power transmission

Travel speed low	4.3 mph
Travel speed high	7.5 mph

## ST35 Dimensions



A	Overall length with bucket	144.2 in
B	Overall length without bucket	116.1 in
C	Overall width with bucket	78 in
D	Overall width without bucket	76 in
E	Overall height	81.9 in
F	Wheelbase	63 in
H	Hinge pin height	125.9 in
I	Dump height max.	95.2 in
J	Dump angle	45 °
L	Dump reach	21.7 in
M	Bucket rollback at ground level	30.5 °
N	Ground clearance	9.4 in
O	Angle of departure	30 °

Please note: that product availability can vary from country to country. It is possible that information / products may not be available in your country. More detailed information on engine power can be found in the operator's manual; the stated power may vary due to specific operating conditions. Subject to alterations and errors excepted. Applicable also to illustrations.

Copyright © 2020 Wacker Neuson SE.