

ST45

Track Loaders



**WACKER
NEUSON**
all it takes!



Vertical Lift Compact Track Loader

The ST45 vertical lift compact track loader delivers high operating capacity and extended lift height, making it ideal for digging and loading. The ST45 delivers 4,500 pounds of operating capacity at 50% and a lift height up to 134 inches. The machine is powered by a 74.3 hp turbo-charged Perkins Tier IV Final engine. The ST45 is available in both H-Pattern and ISO joystick pilot controls. The ergonomically designed controls and pressurized cab provides comfort and visibility, reducing operator fatigue and increasing productivity.

- Standard two-speed transmission reduces travel time on job sites giving the operator more time throughout the day to get more tasks completed.
- Spacious extended cab maximizes room and comfort for the operator to move inside the cab.
- Optional high flow hydraulics increases the range of usable attachments improving efficiency and productivity.
- Quick and easy service access from the forward tilting cab and the arrangement of internal components makes it easy to maintain this machine.
- Hydraulically driven fan operates on an as-needed basis allowing faster warm-up times of the engine and significantly reducing noise.

ST45 Technical specifications

Operating data

Height top of ROPS	81.9 in
Overall length w/ bucket	143.9 in
Overall length w/o bucket	115.8 in
Height Hinge Pin Max	135.4 in
Operating weight	10,245 lb
Rated Operating Capacity ROC 50%	4,500 lb
Rated Operating Capacity ROC 35%	3,150 lb
Length of track on ground	63 in
Dump height max. at max height	107.1 in
Angle of departure	30 °
Tipping angle (bucket dump) w/ bucket at max. height	38 °
Ground clearance	9.4 in
Breakout force max. - Bucket	6,717 lbf
Breakout force max. - Boom	5,309 lbf
Bucket width	72 in
Width w/o bucket	70 in
Width track	17.7 in

Engine / Motor

Engine / Motor	Turbo-Charged Perkins 854 Tier 4 Final
Engine performance	74 hp
Fuel tank capacity	24.3 US gal

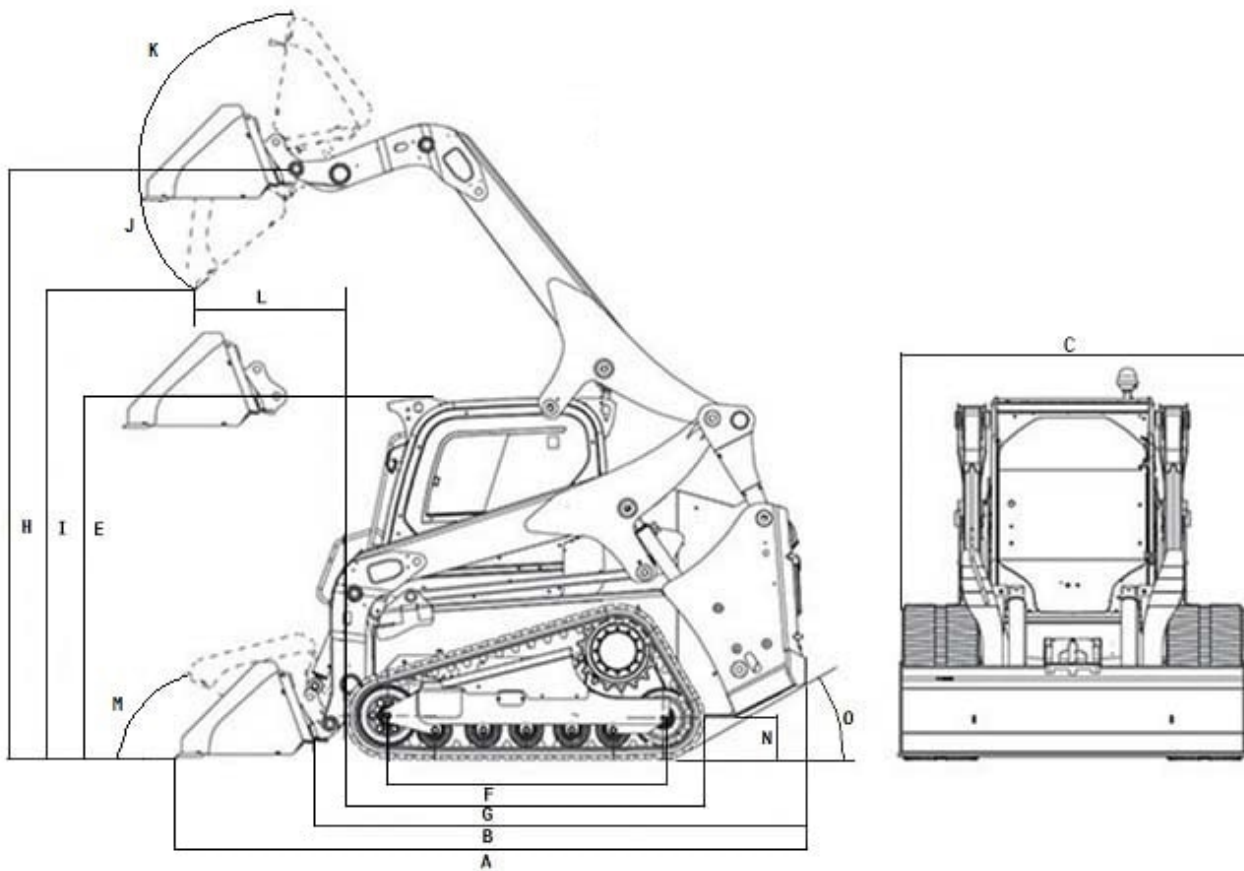
Hydraulic system

Auxiliary Hydraulics- Standard Flow	22.5 US gpm
Auxiliary Hydraulics- High Flow	35.9 US gpm
Pressure aux. relief	3,338 psi

Power transmission

Travel speed low	4.3 mph
Travel speed high	7.5 mph

ST45 Dimensions



A	Overall length with bucket	143.9 in
B	Overall length without bucket	115.8 in
C	Overall width with bucket	78 in
D	Overall width without bucket	76 in
E	Overall height	81.9 in
F	Wheelbase	63 in
H	Hinge pin height	135.4 in
I	Dump height max.	107.1 in
J	Dump angle	38 °
K	Bucket rollback at max. stroke height	45.5 °
L	Dump reach	34.3 in
M	Bucket rollback at ground level	30.5 °
N	Ground clearance	9.4 in
O	Angle of departure	30 °

Please note: that product availability can vary from country to country. It is possible that information / products may not be available in your country. More detailed information on engine power can be found in the operator's manual; the stated power may vary due to specific operating conditions. Subject to alterations and errors excepted. Applicable also to illustrations.

Copyright © 2020 Wacker Neuson SE.