

# TH522

## Telehandlers



**WACKER  
NEUSON**  
*all it takes!*



### Combines power and maneuverability

The TH522 ground-engaging telehandler is designed to meet the digging demands of a wheel loader, the versatility of a skid steer and the lifting performance of a telehandler. With the hydraulically operated universal attachment plate, operating a wide variety of skid steer attachments is easy. Multiple load settings increase efficiency on the job site while the spacious operator station is designed to minimize fatigue on long days.

- Designed for ground-engagement and capable of exceeding the performance of a lift-and-place telehandler
- Perkins Tier 4 Final engine with 60-hp delivers performance and speed on the job site
- Universal attachment plate allows easy changing of new and existing skid steer attachments without leaving the operator's station
- Reach height of 16' 7" (5 m) makes dumping and stacking easy and efficient
- Multiple lift modes maximizes efficiency for repetitive tasks

## TH522 Technical specifications

### Operating data

Lift height max.	199.2 in
Weight	9,259.3 lb
Turning radius Tires	129.2 in
Total rotation angle of the tool carrier	144 °

### Engine / Motor

Engine / Motor manufacturer	Perkins
Engine performance at 2,800 rpm1/min	60 hp
Emission standards stage	IIIB

### Power transmission

Traction drive	hydrostatic
Speed	0-18.64 mph
Service brake central	Parking brake on all four wheels effective
Standard tires	10.5/80-18 AS ETO

### Steering and operating hydraulics

Steering angle max.	2x40 °
Flow rate	18.2 US gpm

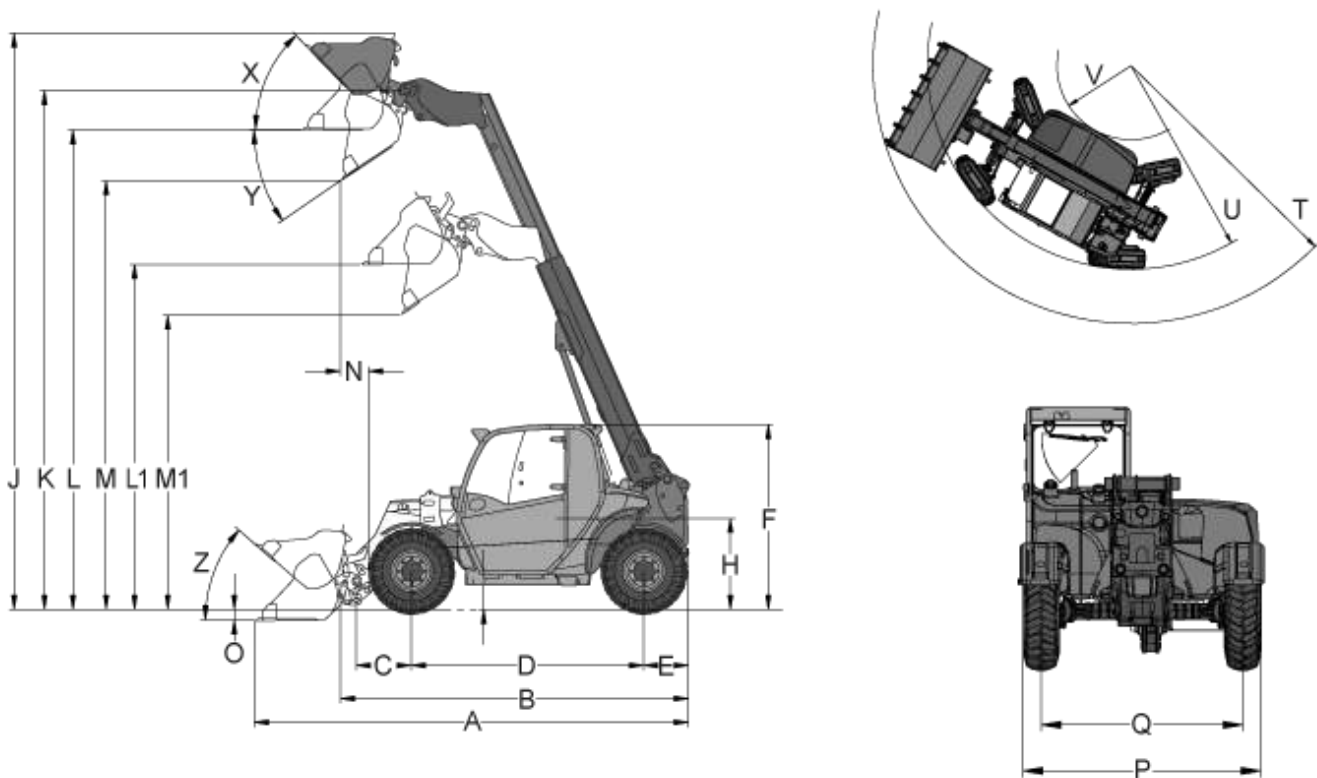
### Kinematics

Payload Payload at max. lift height retracted w/forks	4,078 lb
Lift height Pin height	215.4 in
Payload at max. reach w/forks	1,543 lb

### Filling capacities

Fuel tank capacity	18.2 US gal
Hydraulic oil tank	58.1 US qt

## TH522 Dimensions



		10.5/80-18 AS ET0
	Standard tires	10.5/80-18 AS ET0
A	Overall length	180.2 in
B	Overall length without bucket	147.5 in
C	Bucket pivot point to axle center	22.9 in
D	Wheelbase	96.4 in
E	Rear overhang	18.6 in
F	Height with cabin	76.8 in
H	Seat height	37.9 in
J	Total operating height	239.1 in
K	Stroke height max. - bucket pivot point	215.4 in
L1	Overhead loading height retracted telescopic arm	143.2 in
L	Overhead loading height extended telescopic arm	199.1 in
M1	Dump height max. retracted telescopic arm	122.2 in
M	Dump height max. extended telescopic arm	178 in
N	Range at M	11.5 in
O	Scraping depth	4.4 in
P	Overall width	71.2 in
Q	Track width	60.2 in
S	Ground clearance	10.1 in
T	Radius (max.)	163.5 in

U	Radius at outer edge	129.2 in
V	Inside turning radius	47 in
X	Bucket rollback at max. stroke height	46.5 °
Y	Dump angle (max.)	34.5 °
Z	Bucket rollback at ground level	41 °

Please note: that product availability can vary from country to country. It is possible that information / products may not be available in your country. More detailed information on engine power can be found in the operator's manual; the stated power may vary due to specific operating conditions. Subject to alterations and errors excepted. Applicable also to illustrations.

Copyright © 2020 Wacker Neuson SE.